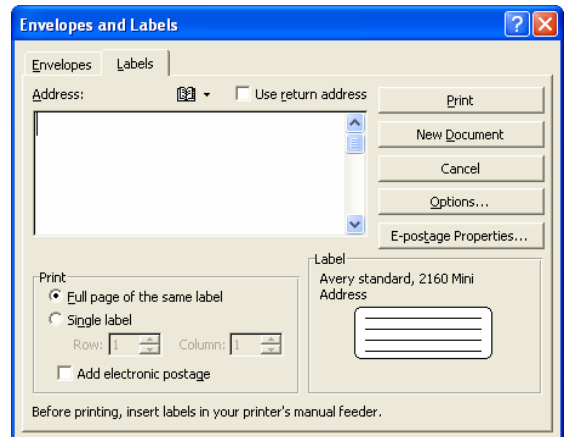
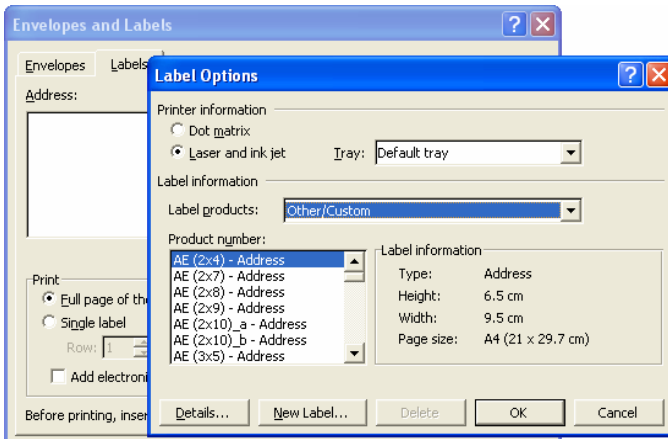


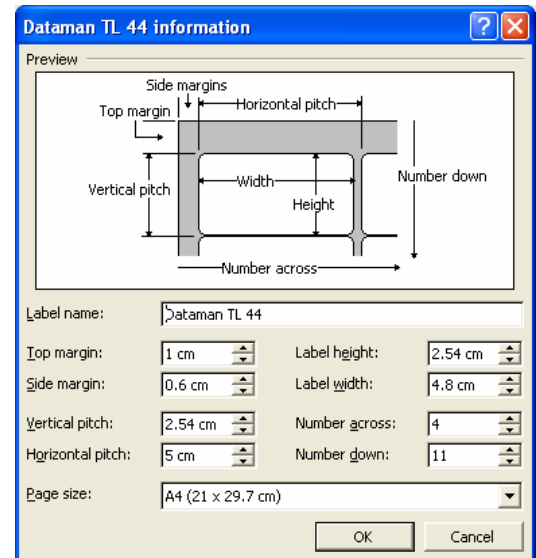
Select Labels / Options



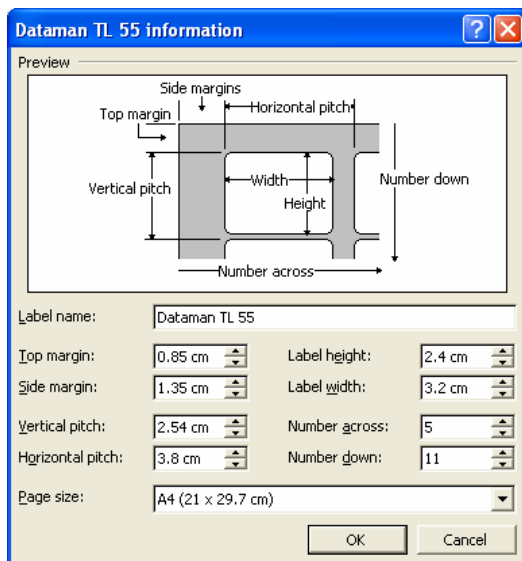
Select Other/Custom/New Label



Parameters for TL44's



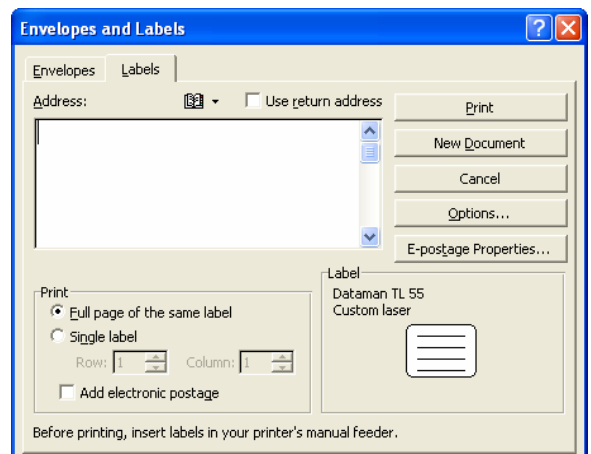
Parameters for TL55's

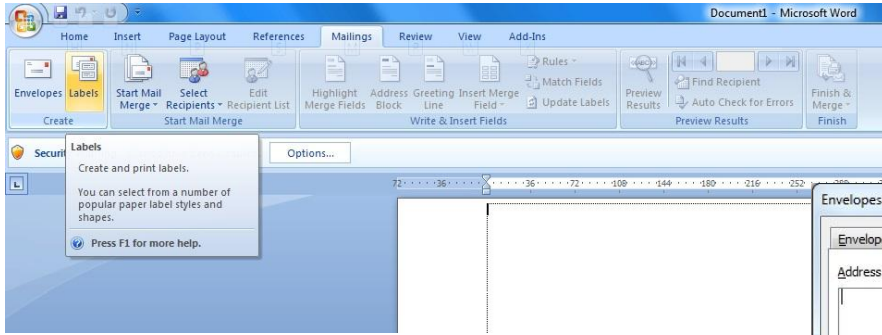


Once label parameters have been entered and saved they can be selected when next required.

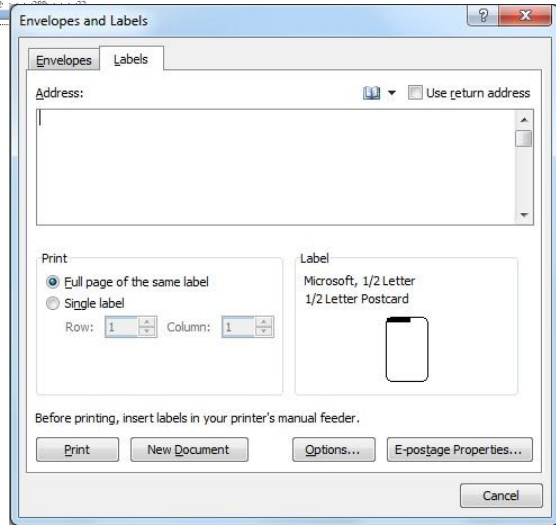
Dataman Barcode Systems
 P.O. Box 855
 Happy Valley, S.A. 5159

Web:- www.datamanbarcode.com.au

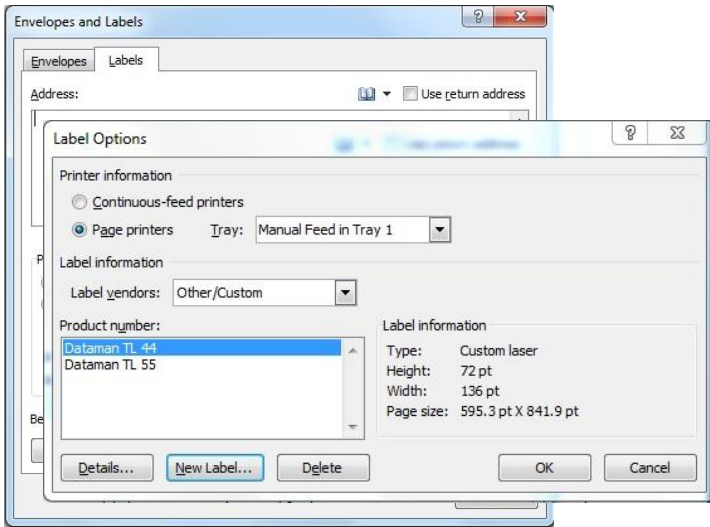




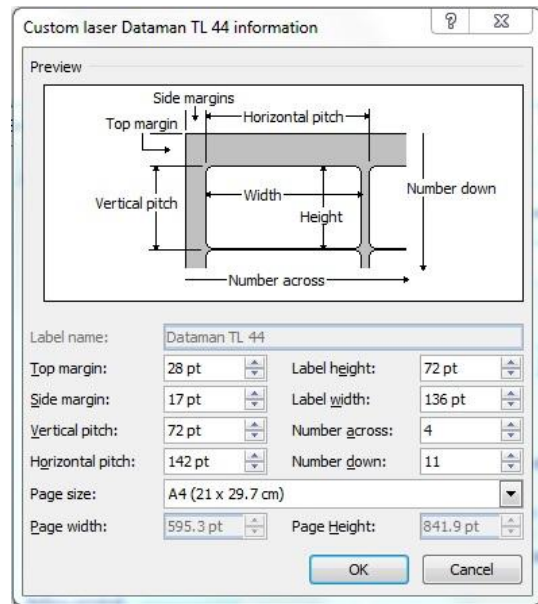
Select Labels / Options



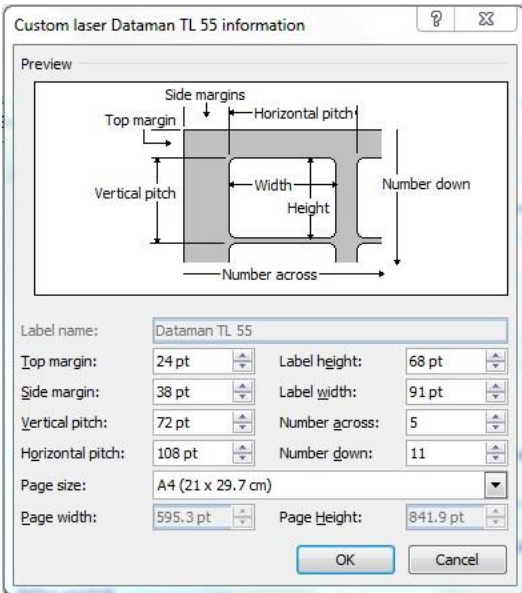
Select Label Vendors Other/Custom/New Label



Parameters for TL44's



Parameters for TL55's



Once label parameters including page size have been entered and saved they can be selected when next required.

Dataman Barcode Systems
P.O. Box 855
Happy Valley, S.A. 5159

Web:- www.datamanbarcode.com.au

